



SPRING/SUMMER 2022

PRODUCT CATALOG

CRD™ for FirstNet®

SatRunner™

Ripper™

Telecrib® Struts + Junior®

Sharks™

O-Plate™



888-427-3728
sales@rescue42.com
www.rescue42.com

f **t** **y** **i** **@rescue42inc**

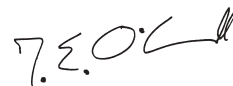
**THE WORLD'S MOST ADVANCED
EXTRICATION, STABILIZATION
AND COMMUNICATION EQUIPMENT**



Proudly Made in the USA

THE GOLD STANDARD

Rescue 42 proudly celebrates over 25 years of innovation in the Fire/Rescue industry. From humble beginnings tinkering with O-Plates™ in the garage to becoming a leading manufacturer of fire and rescue equipment used around the world, everyone at Rescue 42 has maintained a deep commitment to quality and customer service. While the success of the TeleCrib® Strut System and PodRunner® product lines have led to enormous growth, our core values of first responder safety and treating our customers and distributors like family remains our highest priorities. As we continue to develop innovative tools for our industry, we welcome your feedback. Call, email or connect with us online. As we continue to develop innovative tools for our industry, we welcome your feedback. Call, email or connect with us online.



Tim O'Connell is a former Navy Engineer who served on the nuclear fast attack submarine, the USS Whale. A 38+ year California firefighter, Tim serves as founder, CEO and CTO of Rescue 42. He holds numerous innovative patents on Rescue 42 and PodRunner® equipment lines.

All Rescue 42 products are proudly made in Chico, California with raw materials primarily sourced in North America.

Get Training Videos and Resources:
RESCUE42.COM and THEPODRUNNER.COM



CRD™ for FirstNet® **Best Seller** 5

SatRunner™ 7

The Ripper™ 9

TELECRIB® STABILIZATION SYSTEM

Rescue Struts 11

Strut Jack 12

Tripod Upgrades 12

TeleCrib® Junior 15

Junior Engine Combo 17

Accessories 17

TELECRIB® TRUCK KIT **Best Seller**
Original and Modified 18

COLLAPSIBLE CRIBBING
The Shark™ 21

**MULTIPURPOSE EXTRICATION
 AND HEAVY RESCUE TOOLS**
 O-Plate™ JR. 19
 Kits, Accessories & Upgrades 22
 Frequently Asked Questions 25

Our team of extrication specialists are dedicated to offering quality Rescue Equipment demos and training. Call to schedule yours today.

DuPont™ and Kevlar® are trademarks or registered trademarks of E.I. du Pont de Nemours and Company or its affiliates.



FirstNet® Cellular & Wi-Fi Connectivity
ANYTIME, ANYWHERE

CRD™ for FirstNet®

A Compact Rapid Deployable for FirstNet® Users

The CRD™ for FirstNet® is an AT&T FirstNet deployable cell tower. It generates an area of FirstNet Cellular and Wi-Fi coverage, virtually anytime and anywhere. Your very own Cell-On-Wheels (COW) can be deployed by a single person, within minutes, wherever needed!



How the CRD™ Works for Business Continuity and Emergency Response:

- FirstNet Cellular Range up to 2 Miles
- High-Speed Satellite Internet
- Wi-Fi Range up to 500'
- Weatherproof & NEMA 4 Compliant
- FirstNet Ready™ Router
- Rapid Deployable, Single Person Setup <7 minutes
- Rolls Through Standard ADA Doorways
- Deliverable by SUV, Truck, or Trailer

SCAN to
Download
Product Brief



Verizon® Cellular & Wi-Fi Connectivity ANYTIME, ANYWHERE



The SatRunner: A rapidly deployable communications solution for public safety

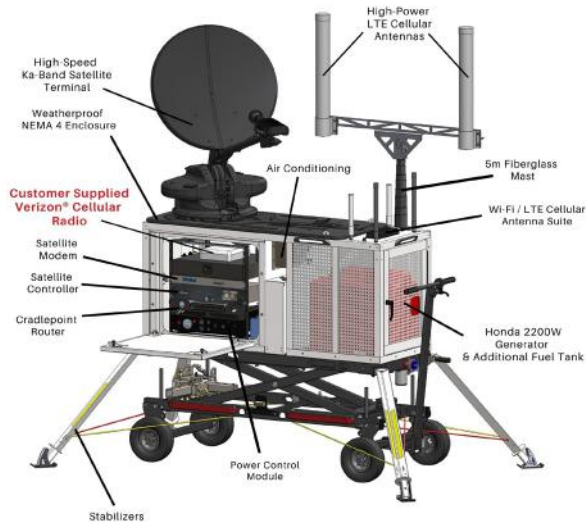
SatRunner™ for Verizon® (SRV™)

A Deployable for Verizon® Cellular

The SatRunner Cell-on-Wheels (COW) platform is configured for the Verizon Network Extender 3 for Enterprise. With the all-new SatRunner COW, you can create an area of Verizon cellular and Wi-Fi coverage, anytime and anywhere. Your very own Cell-on-Wheels can be deployed by a single person, within minutes, wherever needed!

How SatRunner™ Works for Business Continuity and Emergency Response:

- Supports Telemedicine, Field Hospitals & Remote Medical Deployments
- Connects You to the Cloud
- Rapid Deployable, Single-Person Setup <7 minutes
- Supports up to 64 Connected Verizon Devices
- Wi-Fi Range up to 500 ft. and 100+ Connected Devices
- Cellular Range up to 1/2 Mile Bubble



For more information visit
www.thepodrunner.com



**THE
RIPPER™**



 **Watch a Demo Video at [Rescue42.com](https://www.Rescue42.com)**

Because Seconds Saves Lives



THE RIPPER™

Laminated Side Window Glass Cutter

10 Seconds for Side Window Removal | Fits Multiple Impact Drivers | Short Blade

Seconds save. Minutes kill. The Ripper™ is a critical life-saving tool necessary for all first-responders! Laminated glass is now required by law in side windows for most newly manufactured vehicles in the United States. Is your department ready for the changes? Will you be prepared to save a life?

Why Your Department Needs The Ripper™

Effective September 1, 2018, Federal Motor Vehicle Safety Standard 226 (FMVSS 226) established requirements for ejection mitigation systems to reduce the likelihood of complete and partial occupant ejections through side windows during rollover or side impact events. The standard applies to all passenger cars, multipurpose vehicles, trucks and buses with a GVWR of 4,536 kg or less. This change is expected to add 17 million new vehicles per year to America's roadways with laminated glass side windows. **Punches will not shatter laminated glass. Laminated glass must be CUT.**

FAST: Cuts laminated glass to rescue a patient, remove the window, or to unlock a vehicle door in less than TEN SECONDS!

SAFE: Piercing tip penetrates glass approximately 1 inch, allowing responders to operate entirely within the "Safe Cut Zone".

EFFICIENT: Offers a 360° swivel for left or right hand users. Has an attached Resqme® window punch, seat belt and ejection mitigation curtain cutter.

VERSATILE: Interfaces with popular model impact drivers including Milwaukee®, DeWalt®, Makita®.

THE RIPPER™



Milwaukee® 12V



DeWalt®



Milwaukee® 18V



Makita®

Available as a kit or tool only



The RIPPER™ LAMINATED GLASS CUTTER KIT.
See available kits on page 22.



SAVING LIVES

TELECRIB® STRUTS

For Vehicle, Aircraft, Machinery & Light Structural Rescue

Strong + Lightweight | Easy to Use | Electrically Non-Conductive | Corrosion Resistant

With an increased rate of roll-overs in modern vehicles, rescuers are finding themselves in need of advanced stabilization tools to provide quick and convenient support for an unstable vehicle. Rescue 42's advanced **Composite TeleCrib® Struts** are easy to use, extremely strong yet lightweight, and can be quickly deployed to help ensure rescuer and victim safety during extrication.

The advanced Kevlar® infused composite materials used in the TeleCrib® system are up to four-times stronger than steel "signpost" struts, and are incredibly lightweight. As an added safety benefit for rescuers, the strut bodies do not conduct electricity. This is especially important when dealing with machinery rescue and vehicle rescue involving hybrid power systems or low hanging power lines.

With any accident scene, environmental and chemically corrosive materials can be an equipment concern. The superior properties of the Rescue 42 advanced composite struts makes the TeleCrib® Stabilization System extremely resistant to battery acid, fuels, water, salts and UV rays PLUS they clean up easily with soap and water.

The TeleCrib® Strut System is easy to use and requires minimal training to become proficient. We include the Rescue 42 TeleCrib® Instructional DVD and Owner's Manual with your strut purchase. Most departments find that the step-by-step instructions and information are excellent for in-house training and practical use in the field.



► See pages 13–14 for strut kits, accessories and upgrades



TELECRIB® STRUT JACK

• CTC-503

The TeleCrib® Strut Jack is a removable 4,000 lb. jack which fits over the strut body and gives the rescuer a controlled means for lifting or lowering a load. When needed, the Strut Jack rests on the baseplate and pins into the white or blue tube.

The Jack has a 15° range, but can be used to raise or lower the entire extension of the long strut body by pinning the strut and resetting the jack.

Because it is removable, it can be moved from strut to strut as needed, minimizing storage requirements, cost and kit weight.

TELECRIB® TRIPOD KIT UPGRADE

By upgrading our standard Truck or Rescue Kit to a Tripod Kit, the struts can be used for both extrication and confined space rescue without requiring additional storage. The TeleCrib® Tripod meets OSHA requirements for a 2-person anchorage, confined space rescue tool. Up to three high angle rescue systems can attach to the three anchor holes under the tripod head.

>5,000 lbs. per anchor

>10,000 lbs. ultimate



TRADE-IN SPECIAL: SAVE MONEY WHEN YOU TRADE YOUR OLD STEEL STRUTS IN FOR RESCUE 42 COMPOSITE STRUTS.

Ask your local Fire/Rescue Distributor for details.

 **See Our Struts in Action at Rescue42.com**

The image shows a silver SUV overturned on its side, supported by several hydraulic struts. The struts are yellow, blue, and red. Firefighters in yellow gear are working around the vehicle. A red fire truck is visible in the background. The scene is outdoors with trees and a clear sky.

**PROTECT
YOUR CREW**



TELECRIB[®]
JUNIOR

**FAST &
COMPACT**

TELECRIB® JUNIOR | CTC-1000

The TeleCrib® Junior is a compact and fast all-in-one strut designed for basic stabilization. Designed specifically for Engines/Pumpers, it enables First Due Responders to stabilize a vehicle within minutes of arrival for patient care and extrication.

The Junior comes with everything needed to perform basic stabilization. The ratchet strap is attached to the back of the strut and has a removable parrot head clip connecting it to the combi-head. The pins are integrated and automatically lock into position as the strut is extended. A hook cluster slides along the strap for unlimited purchase point options, while a heat/cut sleeve protects the strap from damage. A ground spike rides in a saddle on the side of the strut to secure the baseplate in icy or muddy conditions.

The Junior can be used as a simple prop (wedge) style strut, or as a tension buttress (lifting) strut by disconnecting the strap end from the combi head.

The TeleCrib® Junior works as a stand-alone strut and interfaces with the full size TeleCrib® System and Shark™ Step Chocks. It's compact for storage and can be mounted nearly anywhere on an Engine with the new Junior Strut Brackets (page 9).

Prop Strut + Lifting Stut

Tension buttressing



Chain saddle lifting



TELECRIB® JUNIOR SPECIFICATIONS

COLLAPSED LENGTH 41" (104 cm)

EXTENDED LENGTH 69" (175 cm)

TOTAL WEIGHT 30 lbs. (13.6 kg)

5,000 LB. (2,270 KG) WORKING LOAD.

2:1 SAFETY FACTOR.



 **Watch Stabilization Videos at [Rescue42.com](https://www.rescue42.com)**

**VERSTILE
JUNIOR
ENGINE
COMBO**





JUNIOR ENGINE COMBO

Stabilization + Collapsible Cribbing Kit | Designed Specifically for Engines
Better Together!

Designed specifically for Engines (Pumpers), the TeleCrib® Junior Strut and Shark™ Junior Step Check are a powerful, yet compact stabilization solution for First Due Responders.

In limited manpower situations, the struts and cribbing can be easily carried to a vehicle with a small hydraulic tool.

The vehicle can be stabilized in minutes to begin patient care and extrication.

• JUNIOR ENGINE COMBO | CTC-1002

(2) TeleCrib® Juniors

(2) Shark™ Juniors

Compact for storage and easy deployment

JUNIOR STRUT MOUNTING BRACKETS

Vertical, Horizontal or Ceiling Mounting Options

• JR. STRUT MOUNTING BRACKETS | CTC-1020

Mounting brackets sold individually



Vertical mount



Ceiling mount



Junior Strut Mounting Brackets enable you to carry our equipment on an engine already impacted for storage.

TRUCK KIT

Ultimate Stabilization Equipment + Accessories in a Kit

Our most popular kit contains two short and two long struts, plus all the accessories needed to stabilize one to two cars in most extrication scenarios. Includes: 2 Long Struts, 2 Short Struts, 4-27' Straps, 1 Screw Jack Head, 1 A-Frame Head, 1 Spike Foot, 1 Hook Cluster, 1 Cinch Ring, 1 Spare Strut Pin, 1 Spare Base Pin, 1 Accessory Bag and Instructional DVD. Total kit weight: 160 lbs.

TWO TRUCK KIT OPTIONS:

- **TELECRIB® TRUCK KIT**
w/ 2 LONG + 2 SHORT STRUTS | CTC-6002

plus accessories listed above

- **TELECRIB® MODIFIED TRUCK KIT**
w/ 4 LONG STRUTS | CTC-6002LL

plus accessories listed above

Replace the two short struts that come in the original Truck Kit with two long struts in this Modified Truck Kit.

When seconds make the difference in saving lives our Telecrib® Truck Kit and Modified Truck Kit have the struts plus accessories you need for most one to two car extrications.



TRADE-IN SPECIAL: EARN CREDIT WHEN YOU TRADE YOUR OLD STEEL STRUTS IN FOR RESCUE 42 COMPOSITE STRUTS.

O-PLATE™ JR.

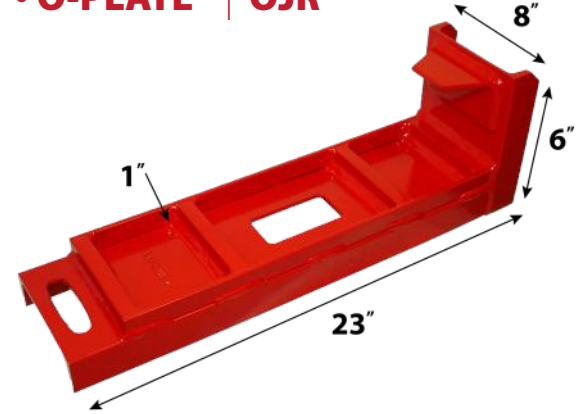
(O'Connell Rescue Plates™)

Anchor | Pull | Support | Enhance

The O-Plate™ Junior (OJR) is a multipurpose Extrication and Rescue tool for dealing with today's complex rescue environment.

You will probably use the O-Plate Jr. most frequently in vehicle extrication where they will help make dash rolls quicker and safer. It is most appropriate for light vehicle extrication as a rocker panel ram or jack support as well as supporting hydraulic tools.

• O-PLATE™ | OJR



JOIN US ON SOCIAL



@RESCUE42INC TAG US IN YOUR PHOTOS!

FOR MORE RESOURCES VISIT

WWW.RESCUE42.COM



**COMPACT
ROCK SOLID
SHARKTM
STABILIZATION**

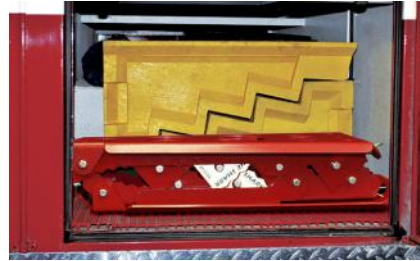
The SHARK™

Collapsible | Space Saving | Versatile

- Taller than traditional step chocks
- Collapsible and stackable for compact storage, two Sharks™ nested are 5" tall
- Nested Sharks™ form a stable shelf for stacking gear
- Meets 2:1 height to base ratio for safety
- Accepts pickets and ratchet straps
- Easy to clean and decontaminate

The Large Shark™ is intended for rescue companies that regularly use step cribbing. At 16" tall, it can stabilize most high clearance vehicles.

The Shark™ Junior is perfect for smaller apparatus with limited compartment space that still need to carry cribbing as a first due responder. The Shark™ Juniors nest and lock together and are easily carried. A Shoulder Strap is included.



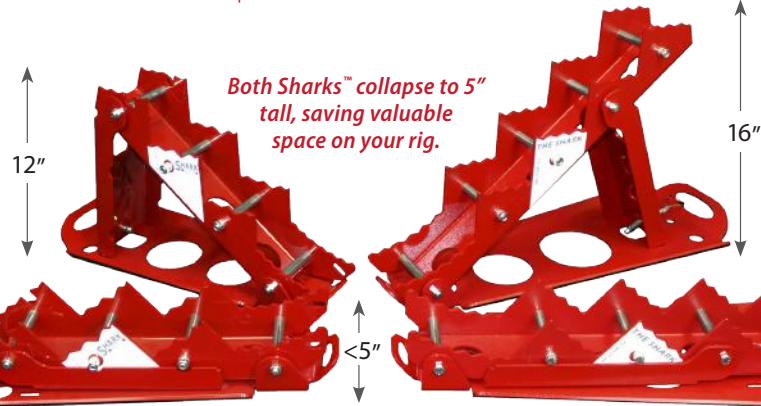
You can fit four Sharks™ in less space than two wood or plastic chocks require.



Positive grip teeth on the steps bite into anything they come in contact with.

• The SHARK™ Jr. | SRK-JR

• The SHARK™ LARGE | SRK-L2



**Watch Videos of The SHARK™
in Action at Rescue42.com**

The RIPPER™ LAMINATED GLASS CUTTER

- **For Milwaukee® Brushless 12V | RT-ML-2553**
12V M12 Fuel 1/4" Hex Impact Driver (Model # 2553-20)
- **For Milwaukee® Brushless 18V | RT-ML-2853**
18V M18 Fuel 1/4" Hex Impact Driver
(Model #'s 2853-20 or 2857-20)
- **For Dewalt® Brushless | RT-DW-DCF887**
20V MAX XR 1/4" Hex Impact Driver (Model # DCF887)
- **For Makita® Brushless | RT-MA-XDT16**
18V LXT 1/4" Hex Impact Driver (Model # XDT16)



The RIPPER™ LAMINATED GLASS CUTTER KITS

- **Milwaukee® Brushless 12V | RK-ML-2553**
12V M12 Fuel 1/4" Hex Impact Driver (Model # 2553-20)
Includes The Ripper, Impact Driver, 2 - 2.0Ah Batteries, Charger, and Soft Carry Bag
- **Milwaukee® Brushless 18V | RK-ML-2853**
18V M18 Fuel 1/4" Hex Impact Driver (Model #'s 2853-20 or 2857-20)
Includes The Ripper, Impact Driver, 2 - 5.0 Ah XC Batteries, Charger 18/12V, & Soft Carry Bag
- **Dewalt® Brushless | RK-DW-DCF887**
20V MAX XR 1/4" Hex Impact Driver (Model # DCF887)
Includes The Ripper, Impact Driver, 2 - 2.0Ah Batteries, Fast Charger, and Soft Carry Bag
- **Makita® Brushless | RK-MA-XDT16**
18V LXT 1/4" Hex Impact Driver (Model # XDT16)
Includes The Ripper, Impact Driver, 2 - 2.0Ah Batteries, Charger, and Soft Carry Bag



TELECRIB® SYSTEM KITS

• Engine Kit | CTC-6001

Includes: (1) long strut, (1) short strut, (2) ratchet straps, (1) screw jack head, (1) hook cluster, (1) cinch ring, (1) spare strut pin, (1) spare base pin, (1) small accessory bag, (1) instructional DVD.

• Modified Engine Kit | CTC-6001LL *(Modified with 2 long struts, no short)*

• Truck Kit | CTC-6002

Includes: (2) long struts, (2) short struts, (4) ratchet straps, (1) screw jack head, (1) A-Frame head, (1) spike foot, (1) hook cluster, (1) cinch ring, (1) spare strut pin, (1) spare base pin, (1) large accessory bag, (1) instructional DVD.

• Modified Truck Kit | CTC-6002LL *(Modified with 4 long struts, no short)*

• Truck/Tripod Kit | CTC-6004

Includes: (3) long struts, (1) short strut, (4) ratchet straps, (1) tripod head, (1) screw jack head, (3) spike feet, (1) hook cluster, (1) cinch ring, (1) spare strut pin, (1) spare base pin, (1) large accessory bag, (1) small accessory bag, (1) instructional DVD.

• Squad Kit | CTC-6006

Includes: (2) long struts, (2) TeleCrib® Junior Struts, (2) ratchet straps, (2) spike feet, (2) hook clusters, (1) cinch ring, (1) spare strut pin, (1) spare base pin, (1) small accessory bag, (1) instructional DVD.

• Rescue Kit | CTC-6003

Includes: (4) long struts, (4) short struts, (8) ratchet straps, (2) screw jack heads, (1) A-Frame head, (2) spike feet, (2) hook clusters, (2) cinch rings, (1) spare strut pin, (1) spare base pin, (2) large accessory bags, (1) instructional DVD.

• Rescue /Tripod Kit | CTC-6005

Includes: (4) long struts, (4) short struts, (8) ratchet straps, (1) tripod head, (2) screw jack heads, (3) spike feet, (2) hook clusters, (2) cinch rings, (1) spare strut pin, (1) spare base pin, (2) large accessory bags, (1) instructional DVD.

TELECRIB® UPGRADE KITS

- Upgrade Your Truck Kit to a **Truck/Tripod Kit | CTC-522**
- Upgrade Your Rescue Kit to a **Rescue/Tripod Kit | CTC-523**

**For replacement parts and warranty claims,
contact your local Fire/Rescue distributor.**

TELECRIB® JUNIOR STABILIZATION PRODUCTS

- **Junior All-in-One Strut | CTC-1000**

Includes: (1) strut with attached ratchet strap, hook cluster and ground spike.

- **Junior Engine Combo | CTC-1002**

Includes: (2) TeleCrib® Junior Struts and (1 pair) Shark™ Junior Step Chocks.

- **Junior Strut Mounting Bracket | CTC-1020**

Includes: (1) strut bracket bottom and top with retention pin.

THE SHARK™ COLLAPSIBLE CRIBBING

- **Shark™ Collapsible Step Chocks | Large | SRK-L2**

Includes: (2) collapsible step chocks (16" tall – 5" collapsed)

- **Shark™ Junior Collapsible Step Chocks | SRK-JR**

Includes: (2) collapsible step chocks with shoulder strap (12" tall – 5" collapsed)

RESCUE SUPPORT PRODUCTS

- **O-Plate™ Jr. Light Rescue Plate | OJR**

TELECRIB® Individual Components

- **CTC-501 TeleCrib® Long Strut**

Includes: (1) long strut with combi head, baseplate, 3 strut pins, 2 base pins

- **CTC-502 TeleCrib® Short Strut**

Includes: (1) short strut with combi head, baseplate, 3 strut pins, 2 base pins

- **CTC-503 TeleCrib® Strut Jack**

Includes: (1) lifting jack, (1) base pin, (1) ball detent pin, (1) safety pin

- **CTC-504 Ratchet Strap: 27' long, grab hooks on both ends**

- **CTC-505 Hook Cluster: Large J, Mini J, Hammerhead T**

- **CTC-506 Cinch Ring**

- **CTC-507 Screw Jack Head**

- **CTC-508 A-Frame Head**

- **CTC-511 Spike Foot**

- **CTC-512 Accessory Bag - Large**

- **CTC-514 Accessory Bag - Small**

- **CTC-515 Yellow Strut Body Pin**

- **CTC-516 Steel Base Pin**

- **CTC-520 Picket: 1" diameter x 4' long x 2¾" head**

- **CTC-521 Chain: 3/8" x 20' with grab hooks. Grade 70**

- **CTC-524 Strut Mount Brackets (set of 2)**

CRD™ for FirstNet® and SatRunner™ FAQs

What kind of vehicle is required to transport a CRD or SatRunner?

Any vehicle equipped with a Class III (3) or higher trailer hitch receiver. The deployables require a 2" square hitch receiver to install the PodRunner® Hitch Adapter that connects the CRD™ and SatRunner™ to the vehicle.

What is the maximum weight I can put on my vehicle?

Check your vehicle's ratings, usually found on the door jam, on the trailer hitch or in the owner's manual. PodRunners® can weigh up to 600 pounds; make sure the vehicle is rated for it.

How many cellular users can be supported at one time?

Both the CRD™ and SatRunner™ can support 64 cellular users simultaneously.

What is the expected Wi-Fi range?

Both the CRD™ and the SatRunner™ provide a Wi-Fi range of approximately 500 feet.

What is the range of FirstNet® Cellular coverage?

Up to 2 miles.

How long can the CRD™ and SatRunner™ run off-the-grid?

With the on-board generator, expansion fuel tank and battery, the CRD & SatRunner can run for 60 continuous hours without refueling.

How do I purchase a dual-cellular system?

Contact us at info@thepodrunner.com or 888-427-3728 to learn more.

How does the data plan work?

The data plan is purchased independently by the customer through Expedition Communications.

The Ripper FAQs

Can I pierce the windshield with the tip of The Ripper™ blades?

Yes, it is designed to do just that...no special tools required, and it will not damage the impact driver due to the unique design of the interface cone.

How fast does it cut?

Depending on the impact driver and thickness of the windshield, it will cut at a speed of up to 7.2"/second. It will punch a starter hole and cut a typical vehicle windshield or side window in less than 30 seconds.

How thick of glass will the Ripper cut?

Maximum glass thickness – 3/8" (99.999% of all vehicles)

Composite Strut FAQs

What is the TeleCrib® composite?

The composite material used for our TeleCrib® struts is comprised of many layers of super fibers, including Dupont™ Kevlar®, which are combined through an advanced pultrusion process to form the strong, yet lightweight tubes used for our struts. Our proprietary mix of fibers and resins gives our strut tubes incredible column strength while being tough enough to stand up to the rigors of the Fire/Rescue industry.

What effect do sunlight and water have on the struts?

Our strut tubes contain UV stabilizers to prevent degradation of the material, and the resins used to bond the fibers prevent water absorption. All steel parts are powder-coated, but should be inspected and maintained to prevent corrosion.

Will the strut tubes melt if exposed to heat?

Once the composite material has cured during the manufacturing process, it will not melt or warp. The safe operating temperature range for the TeleCrib® Struts is -60° F to 180° F.

How do you maintain composite struts?

Since the strut tubes are extremely resistant to corrosion, our only maintenance suggestions are to keep the strut tubes free of obstructions (grit, sand, etc.) and to keep them lightly lubricated with WD-40® or car wax. Steel parts should be inspected for corrosion anywhere there are chips or scratches in the powder-coating, and repainted with a rust inhibiting paint when necessary.



Stabilization FAQs

What is the best way to stabilize a car on its side? On its roof?

Fundamentally, stabilization is about creating a wide, solid base to prevent movement (think triangle). Because of dent resistant paneling and rounder body styles on newer vehicles, simple step cribbing and wood blocks at the base of the vehicle may not be able to prevent the load from shifting or rolling. Whether the vehicle is on its side or roof, having a strut (or two) on each side of the vehicle and anchoring the bases to each other or to the vehicle will stabilize the load so that the rescuer can safely begin patient care and extrication.

Can you lift with struts?

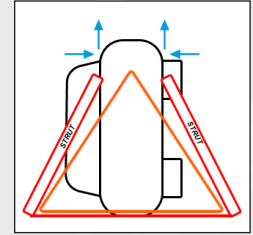
Yes, you can. By simply attaching a ratchet strap to the baseplates of two opposing struts and tightening it, you can lift a vehicle several inches as the struts are brought closer together. (See photo at right with truck wheels off the ground.) This is often enough to assist with limb entrapment or to create additional working space. If advanced lifting is needed, you can use a Strut Jack on one or two struts to lift up to 15" at a time or to act as a manual ram. These methods are also a great way to "crib" behind an airbag lift.

How do you stabilize an odd load without purchase points?

If you can't find a solid purchase point for the strut head on the load you are trying to stabilize, you'll need to make one. One of the easiest ways is by using chain. To create a chain saddle, run a 3/8" grade 70 or higher chain under the load and slide a link through the strut's chain slot at each side. As you tighten the ratchet strap between the base plates, the chain will bite into the load and give you a tremendous amount of stability and control. You can also use chain around the base of a load to create anchor points for your straps and baseplates.

When do you use the A-Frame Head?

The A-Frame head is most often used to stabilize utility poles or trees that have fallen on a vehicle or house. The spurs on the top of the head are perfect for biting into the load to prevent it from rolling or further settling. If you do not have access to a load from below, the A-Frame head can be used to support it from above. The center slot supports 3/8" chain while the bottom hole is for anchoring a shackle. This allows for several different rigging configurations and lifting operations.



RESCUE42

CALL **888-427-3728** OR EMAIL SALES@RESCUE42.COM
TO FIND YOUR AUTHORIZED RESCUE 42 EQUIPMENT DEALER.

THE WORLD'S MOST ADVANCED STABILIZATION EQUIPMENT



Find Your Local
Authorized Dealer



Scan Me!

PO Box 1242 | Chico, CA 95927 • 888-427-3728 • RESCUE42.COM • THEPODRUNNER.COM